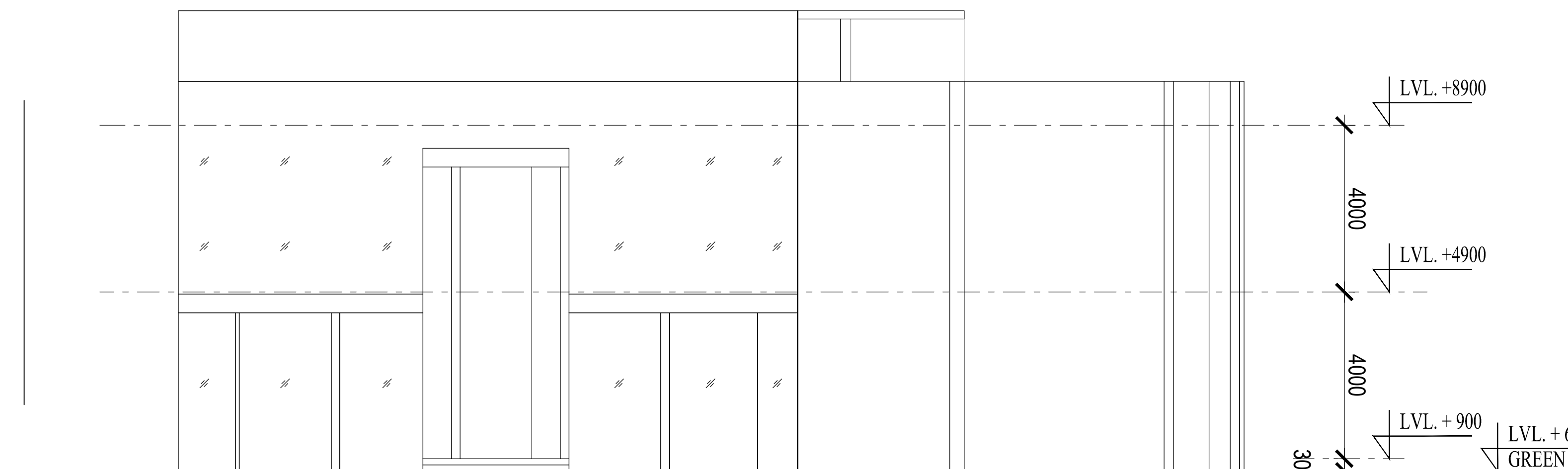
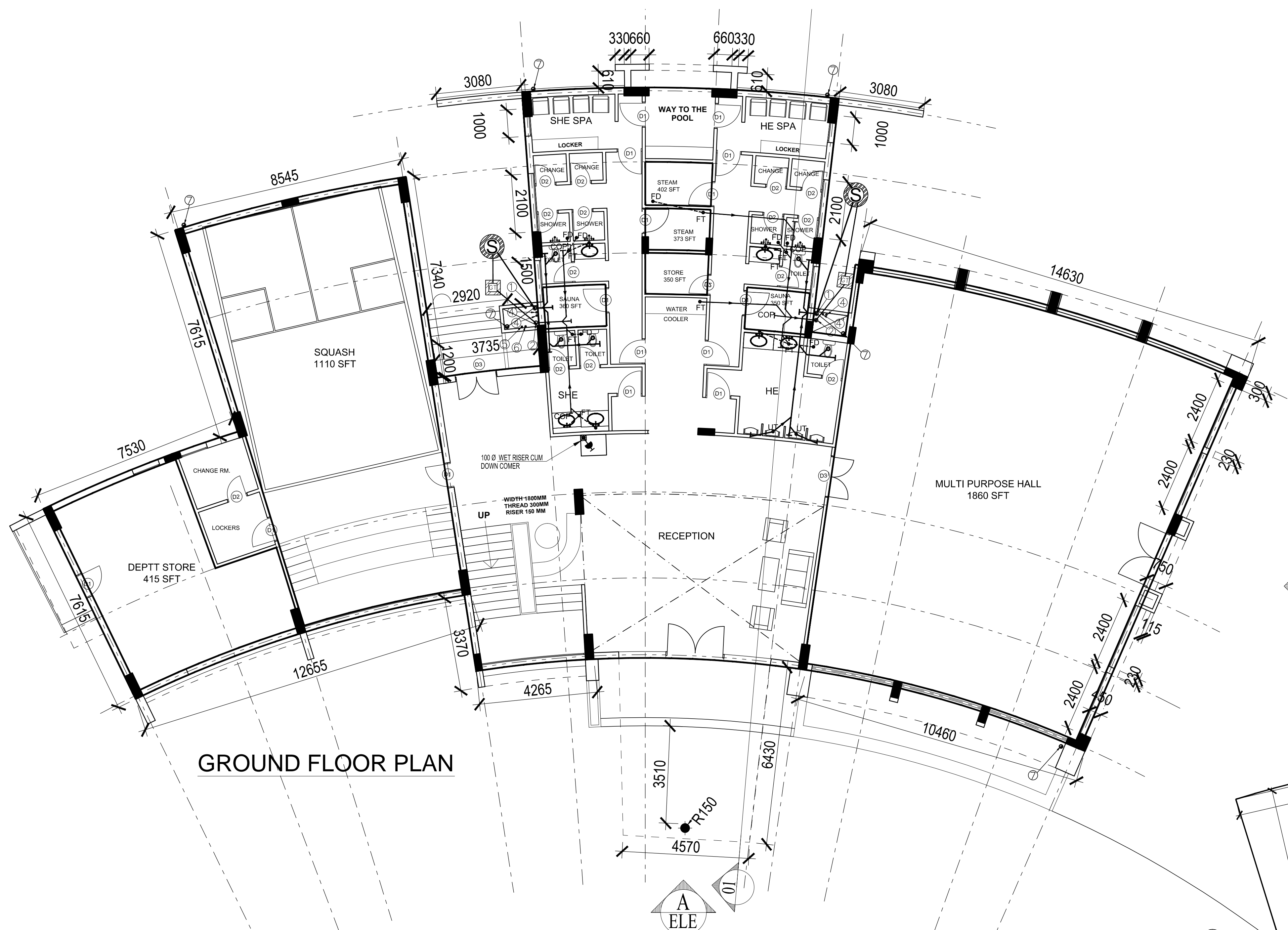


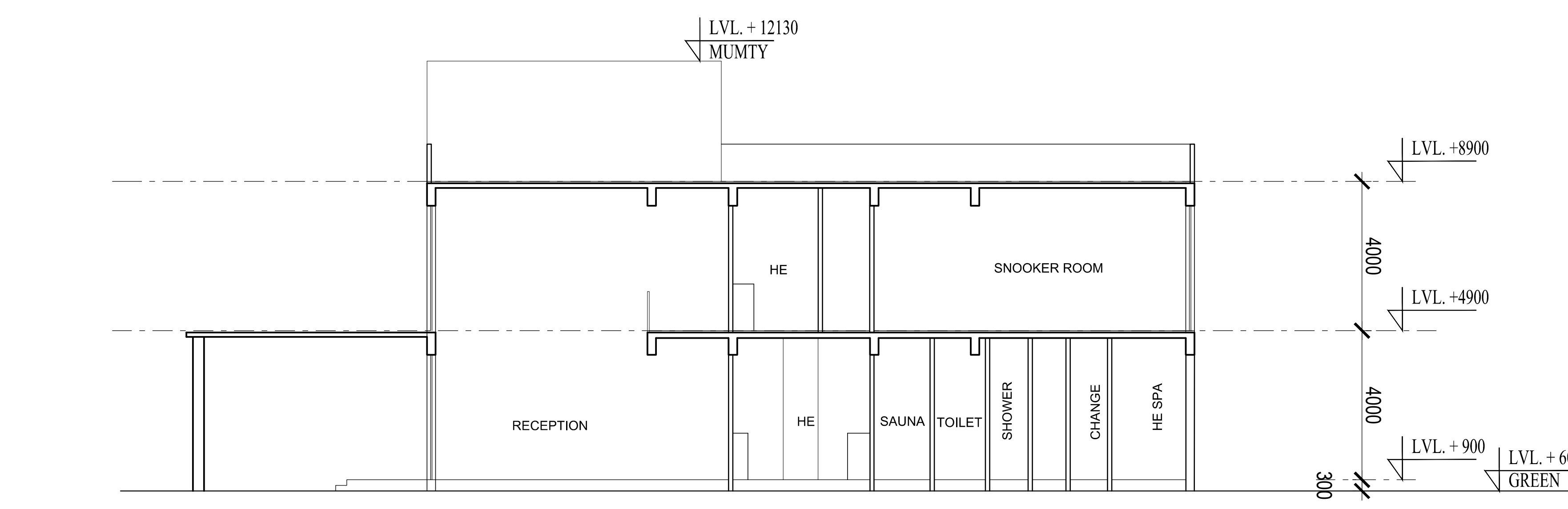
ELEVATION A



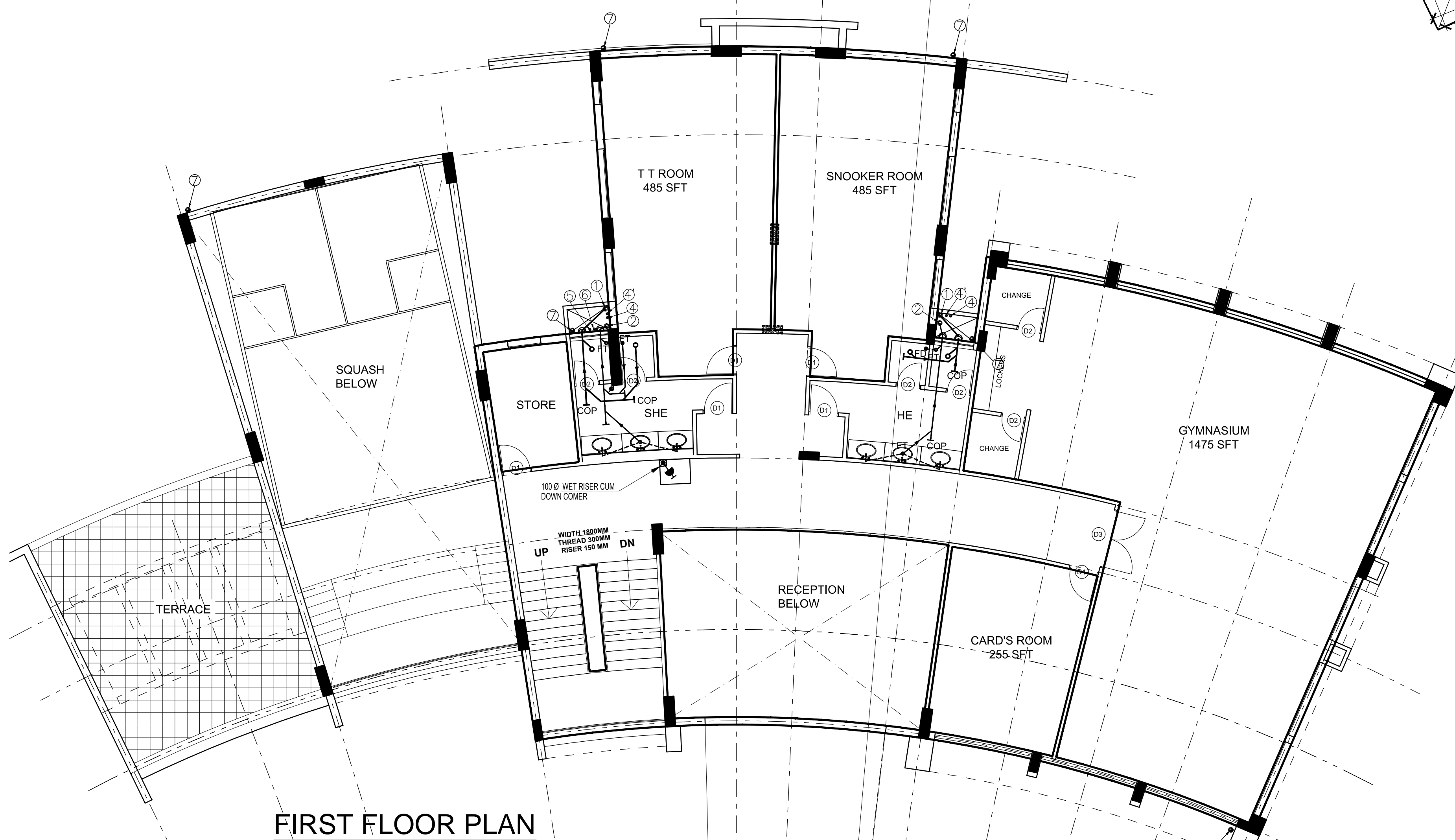
ELEVATION B



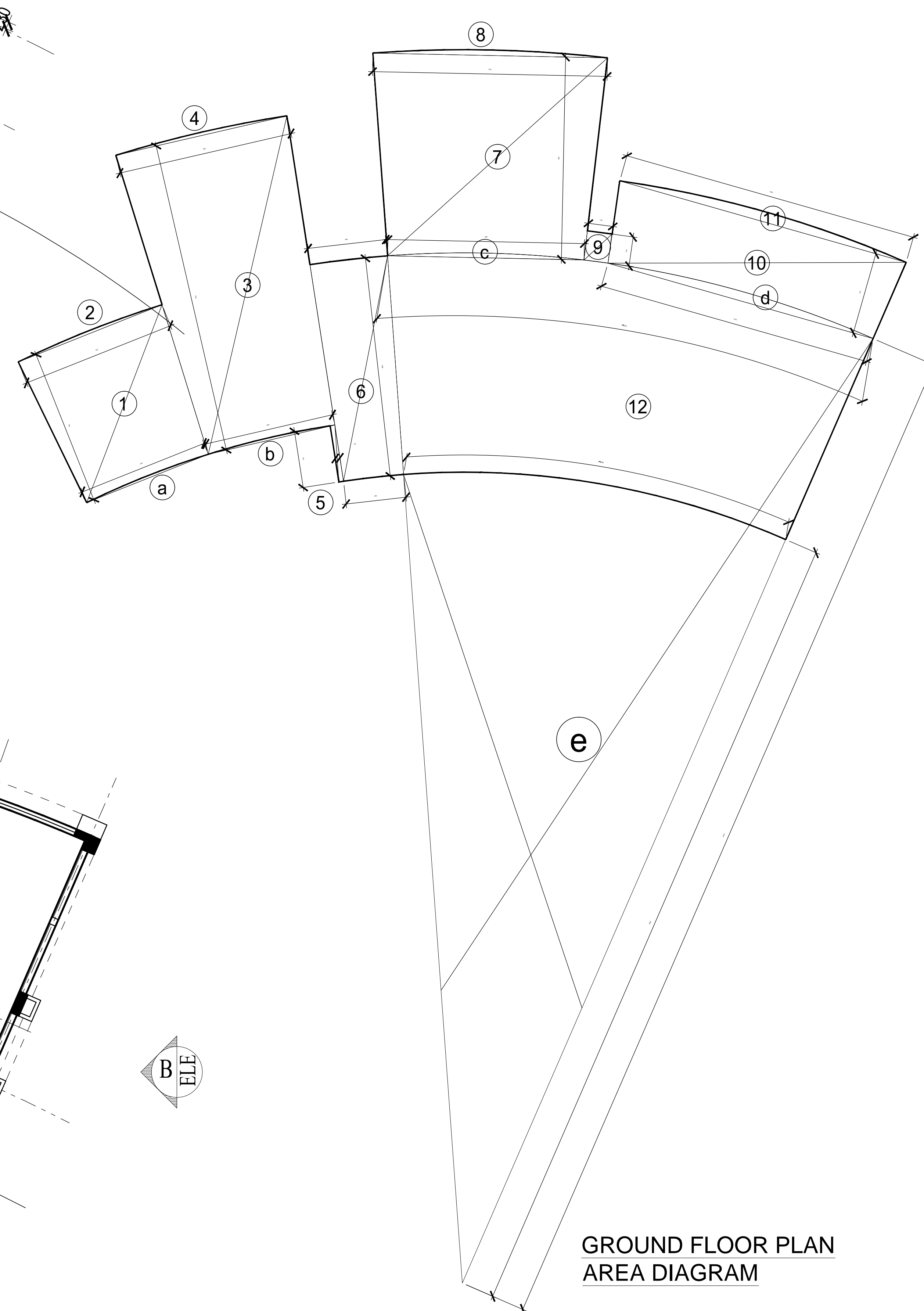
GROUND FLOOR PLAN



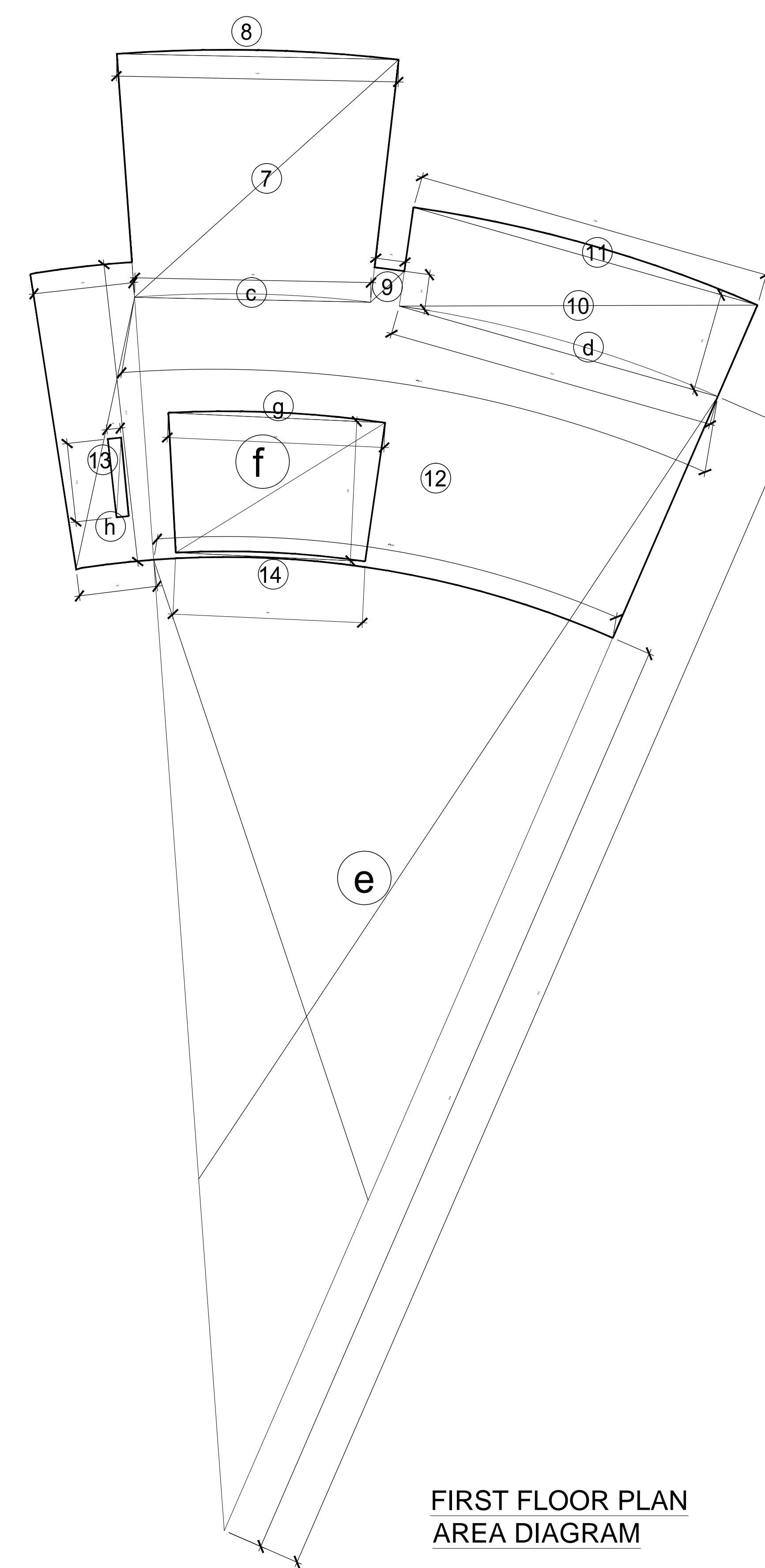
SECTION 1



FIRST FLOOR PLAN



GROUND FLOOR PLAN AREA DIAGRAM



FIRST FLOOR PLAN AREA DIAGRAM

COMMUNITY HALL AREA CALCULATION

GROUND FLOOR

1	[ 7.53 + 6.37 / 2 X 7.595 =	52.785
2	BY COMPUTER	= 0.72
3	[ 8.545 + 6.325 / 2 X 15.19 =	112.938
4	BY COMPUTER	= 0.910
5	0.23 X 2.77	= 0.6371
6	[ 3.805 + 2.935 / 2 X 10.66 =	35.924
7	[ 11.425 + 9.565 / 2 X 9.85 =	103.376
8	BY COMPUTER	= 2.060
9	1.195 X 1.43	= 1.709
10	[ 14.495 + 13.415 / 2 X 4.01 =	55.960
11	BY COMPUTER	= 4.750
12	0.5 X 24.21 X 50.135	= 606.88

978.653

(i)

DEDUCTION

a	BY COMPUTER	= 0.51
b	BY COMPUTER	= 0.5
c	BY COMPUTER	= 1.47
d	BY COMPUTER	= 4.07
e	0.5 x 19.06 x 39.465	= 376.101

382.651

(ii)

TOTAL AREA IN GROUND FLOOR = (i) - (ii)

= 978.653 - 382.651  
= **596.001**  
sq mtrs.

FIRST FLOOR

7	[ 11.425 + 9.565 / 2 X 9.85 =	103.376
8	BY COMPUTER	= 2.060
9	1.195 X 1.43	= 1.709
10	[ 14.495 + 13.415 / 2 X 4.01 =	55.960
11	BY COMPUTER	= 4.750
12	0.5 X 24.21 X 50.135	= 606.88
13	[ 4.035 + 3.165 / 2 X 12.115 =	43.614
14	BY COMPUTER	= 0.960

819.312

(i)

DEDUCTION

c	BY COMPUTER	= 1.47
d	BY COMPUTER	= 4.07
e	0.5 x 19.06 x 39.465	= 376.101
f	[ 8.795 + 7.68 / 2 X 5.655 =	46.583
g	BY COMPUTER	= 1.26
h	0.545 X 3.195	= 1.741

431.226

(ii)

TOTAL AREA IN FIRST FLOOR = (i) - (ii)

= 819.312 - 431.226  
= **388.087**  
sq mtrs.

LEGEND -

PLUMBING LEGEND	DESCRIPTION
①	110 OD uPVC SP STACK
②	110 OD uPVC WP STACK
③	(*)
④	DWS D/TAKE
⑤	FWS D/TAKE
⑥	500 DWS RISER
⑦	500 FLSHING RISER
⑧	110 OD uPVC R/WP
⑨	750 uPVC DRAIN PIPE(BALCONY)

LEGEND -

SYMBOL	DESCRIPTION
—	SOIL PIPE
—	WASTE PIPE
—	FLOOR TRAP
—	FLOOR DRAIN
—	CWS LINE
—	CWS RISER LINE
—	FWS LINE
—	FWS RISER LINE
—	CONTROL VALVE
—	MANHOLE
—	GULLY TRAP

PROJECT: PROPOSED GROUP HOUSING COLONY MEASURING 19.362 ACRE LICENSE NO. -85 OF 2008, DATED 11.04.08 IN SECTOR-82, GURGAON MANESAR URBAN COMPLEX.

OWNER: MS. SPEAR DEVELOPERS PVT.LTD & OTHERS.

TITLE: COMMUNITY HALL PLANS

ARCHITECTS: GIAN P. MATHUR & ASSOCIATES PVT. LTD. ARCHITECTS, ENGINEERS AND PLANNERS C-55, EAST OF KAILASH, NEW DELHI - 110065 PH- 011- 46599599

SCALE: 1: 100 DWG. NO. - 21